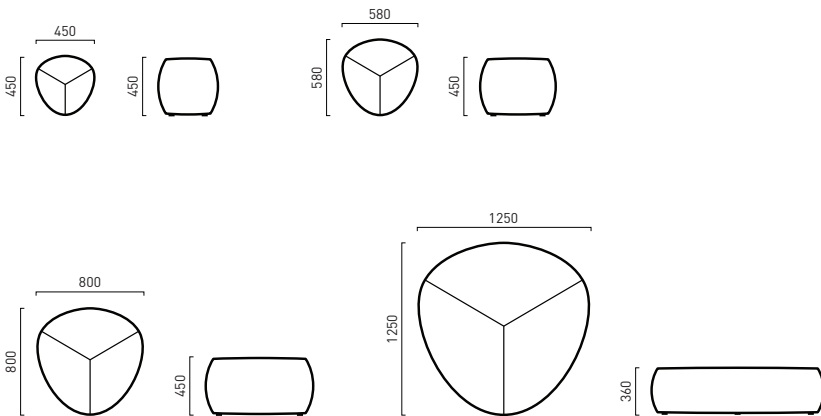


# PEEK Ottoman

PEEK is a creative ottoman with an unusual yet attractive shape & style. PEEK features true "Pot Belly" sides with a triangular top stitch pattern. It is comfortable and versatile and will suit the most deserving of break-out spaces.

Upholstered in your choice of fabric!



450D x 450H	580D x 450H	800D x 450H	1250D x 360H
UPHOLSTERED - COM			
+ 0.8M OF FABRIC	+ 1.3M OF FABRIC	+ 2.1M OF FABRIC	+ 2.8M OF FABRIC

